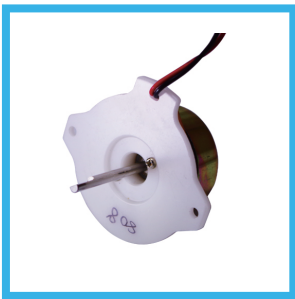
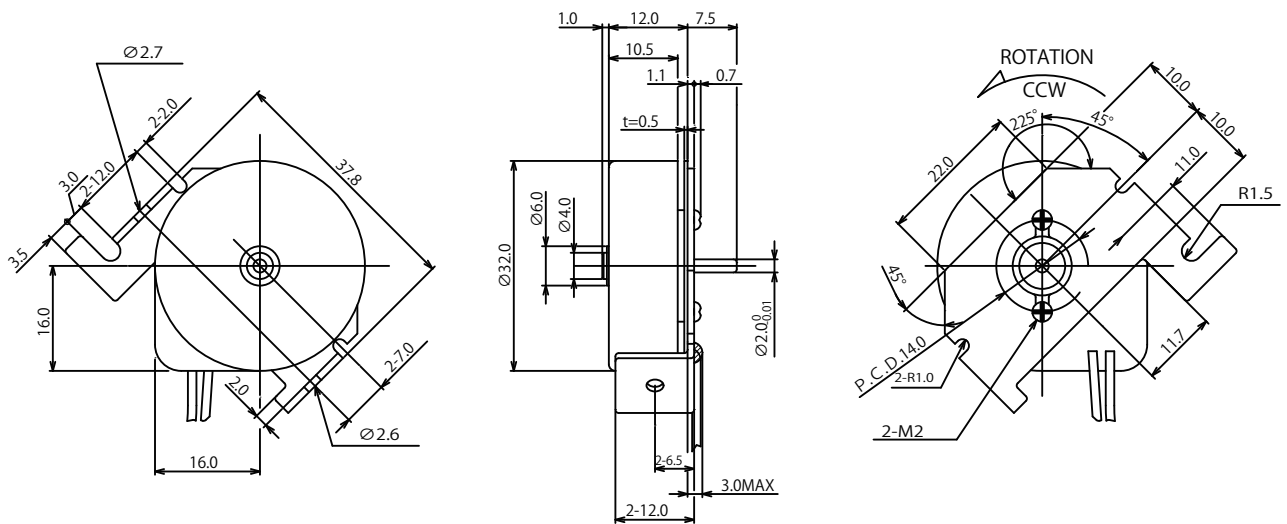


主な用途	Main Application
<ul style="list-style-type: none"> ・回転灯 ・エアポンプ 	<ul style="list-style-type: none"> ・Revolving lamp ・Air pump



MODEL	VOLTAGE	NO LORD		RATED LORD				STALL		
	RATED	SPEED	CURRENT	TORQUE		SPEED	CURRENT	TORQUE		CURRENT
		r/min	A	g·cm	mN·m	r/min	A	g·cm	mN·m	A
FBR3212	13	2040	0.06	20	2.0	1180	0.08	48	4.8	0.1



FBR3212 A 13V

