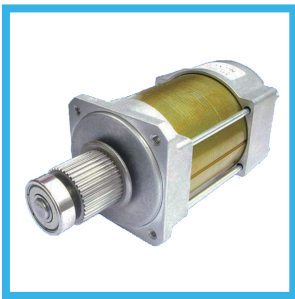


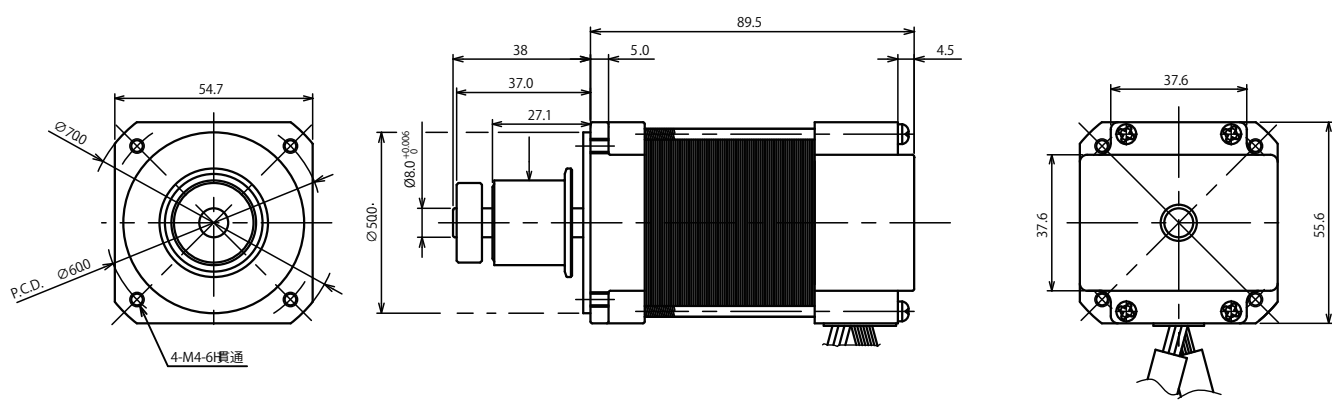
FBR5589 FB-848

主な用途 Main Application
 ・プリンター ・ Printing machine



特徴:

MODEL	VOLTAGE	NO LORD		RATED LORD				STALL		
	RATED	SPEED	CURRENT	TORQUE		SPEED	CURRENT	TORQUE		CURRENT
		r/min	A	g·cm	mN·m	r/min	A	g·cm	mN·m	A
FBR5589 A	42	4220	0.6	3400	333	3600	3.9	23141	2269	23.1



FBR5589 A 42V

