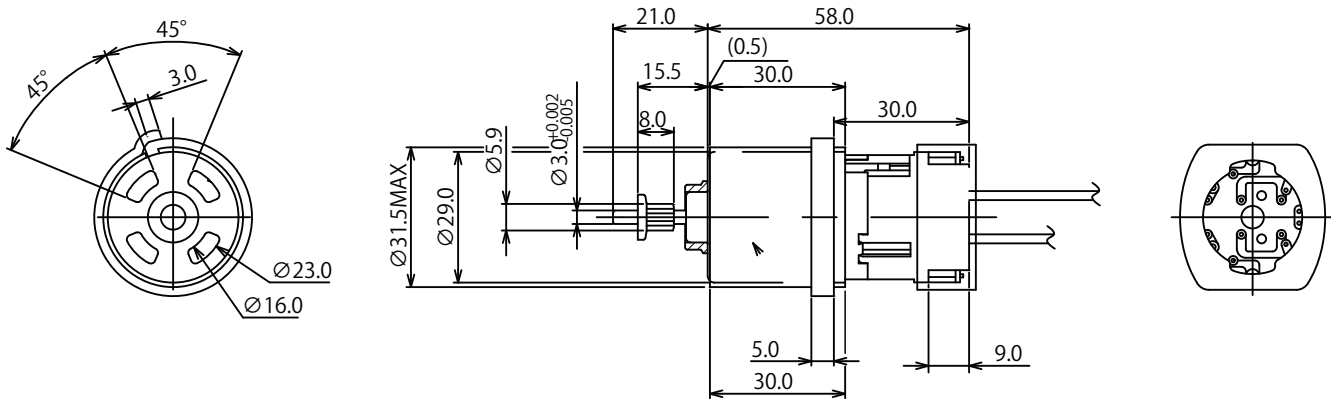


FMR3158 FM-134

主な用途 Main Application
 ・産業機器 ・ Vacuum cleaner power brush



MODEL	VOLTAGE RATED	NO LORD		RATED LORD				STALL		
		SPEED r/min	CURRENT A	TORQUE		SPEED r/min	CURRENT A	TORQUE		CURRENT A
				g·cm	mN·m			g·cm	mN·m	
FMR3158 K LA	100(VAC)	14100	0.11	160	15.7	9400	0.35	-	-	-



FMR3158 K LA 100VAC

