

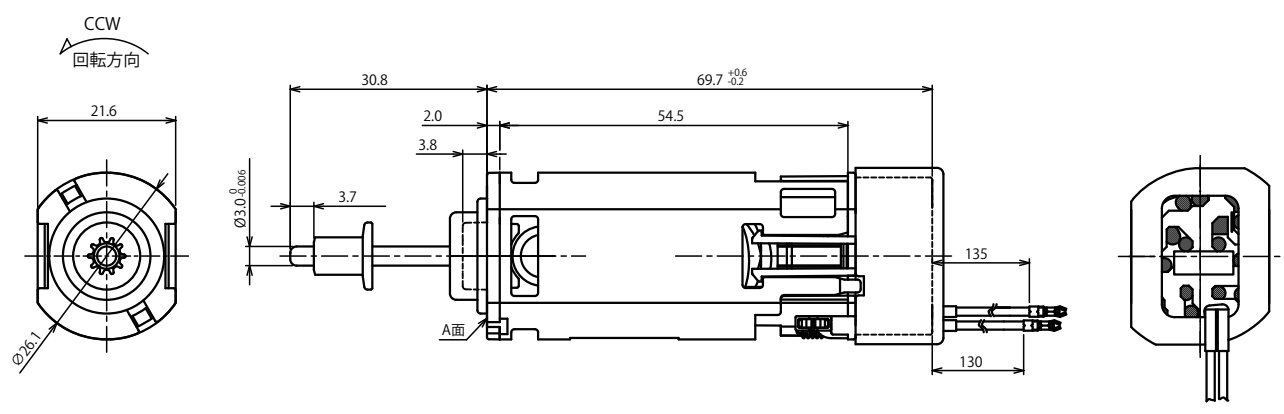
FMF2169 FM-162

主な用途 Main Application
 ・ 掃除機 ・ Vacuum cleaner



特徴:

MODEL	VOLTAGE RATED	NO LORD		RATED LORD				STALL		
		SPEED r/min	CURRENT A	TORQUE		SPEED r/min	CURRENT A	TORQUE		CURRENT A
				g-cm	mN-m			g-cm	mN-m	
FMF2169 K1 L2	100VAC	15000	0.1	325	31.8	5500	0.63			



WEIGHT : 111g

FMF2169 K1 L2 100VAC

