

42BY224-001

主な用途 Main Application

.....

.....

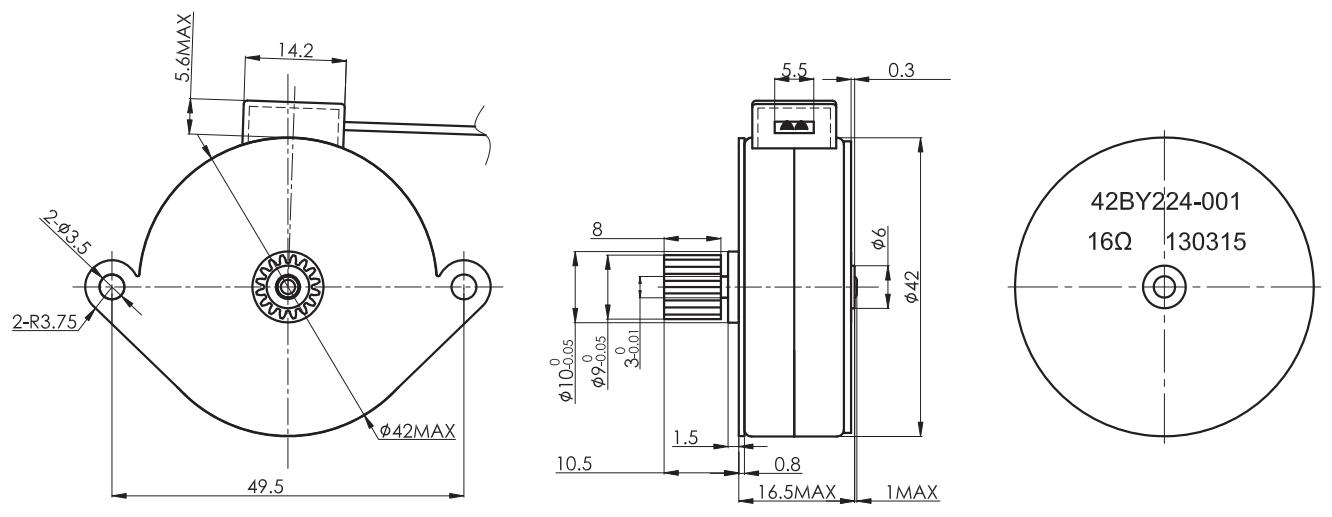
.....



仕様

サイズ (mm)	
重量 (g)	
抵抗 (Ω)	
定格電圧 (V)	
駆動波形	
励磁方法	

ステップ角	
ステップ精度	
ホールディングトルク	



42BY224-001

備考

1.范围 (SCOPE)

本规格书适用于永磁步进马达，型号为. 42BY224-001

These specifications applied to the permanent Magnet Type STEPPING MOTOR,
Model name is 42BY224-001

2.标准条件 (STANDARD CONDITIONS)

2.1 测定条件 (TESTING CONDITIONS)

温度/湿度

测定的环境要在标准的温度 ($20^{\circ}\text{C} \pm 2^{\circ}\text{C}$) 和湿度 ($65\% \pm 5\% \text{RH}$) 条件下.但是在测定结果不会产生疑议的情况下可以在正常的温度($5^{\circ}\text{C} \sim 35^{\circ}\text{C}$)和湿度(45%~85%)条件下进行。

#Temperature / Humidity

The testing environment must be a standard temperature / humidity conditions(the temperature of $20^{\circ}\text{C} \pm 2^{\circ}\text{C}$ and humidity of $65\% \pm 5\%$).In case that a judgement would not bring about any doubts ,tests can be done at normal temperature($5^{\circ}\text{C} \sim 35^{\circ}\text{C}$) and normal humidity(45%~85%).

2.2 基本姿势 (BASIC PLACEMENT)

电机轴的基本状态为水平放置， 否则的话需要双方协商后确定

Lead screw must be horizontal .However, placement except described above must be decided after discussion by each other.

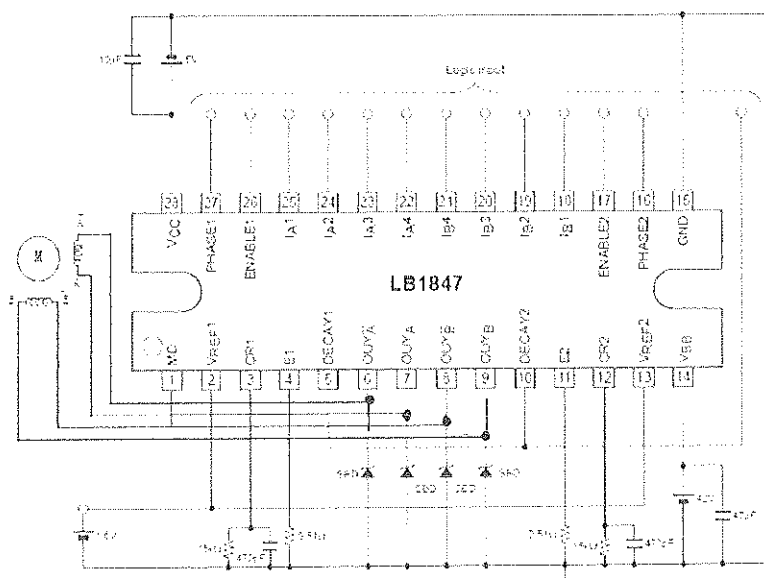
2.3 测定回路 (TESTING CIRCUIT)

所有性能的测定是在标准的驱动回路下测定的， 参考以下回路图

Characteristics must be measured with the following standard circuit.

Standard Driving IC:

驱动回路图 (Standard circuit)



马达承认书

APPROVAL SHEET

2.2. 机械性能 (MECHAICAL CHARACTERISTICS)

序号 NO.	项目 ITEM	规格 SPECIFICATION	测定条件 TEST CONDITON	备注 REMARKS
1	自定位力矩 Detent Torque	100gf.cm(参考) 100gf.cm(Ref.)	无励磁,马达端子部开放 Each terminal opened No excitation	
2	外观 Appearance	无影响马达性能的生锈和变形,如果必要的话,树立限度样板进行管理 No damage and discoloration which may cause failure at standard Operating condifions ,if necessary ,submit the limit sample which is bodied by each other		
3	重量 Weight	98g(Ref)	电子秤 称量 Measured by electronic scale	Ref
4	输出机构 Out put device	输出齿轮 With a output gear		
5	噪音 Noise	50dB 以下 50dBmax	24.0VDC 3000Hz 驱动,无负载,离电机头部 10cm 测定 24.0VDC 3000Hz driving ,free load measured 10cm from the motor ***	
6	结构及尺寸 Construction	参考附件的外形图 Refer to the Outside drawing as a file attached		
7	输出轴轴向间隙 Out shaft thrust	0.5 以下 0.5max	输出轴顶端位置 At the tip of out shaft	
8	输出轴径向间隙 Out shaft deflection	0.1 以下 0.1max	离输出轴顶端 4mm 位置 4mm from the tip of out shaft	
9	标签 Label	LD-4215PMSG1 ADR131115	根据生产时间 印生产日期	

***噪音测定说明事项

仪器模式:A Filter fast mode

环境噪音小于 25dB

***Noise Measuring explain

Measurement mode : A filter , Fast mode

Background noise : 25dB max.

2.3 环境性能(ENVIRONMENTAL PERFORMANCE)

序号 No.	项目(ITEM)	使用(OPERATING)	运输、储存 (Transport/STORAGE)
1	温度 (Temperature)	-10℃~50℃	-30℃~80℃
2	Humidity	20~90%RH 不结露 Non-condensing	8~90%RH 不结露 Non-condensing

马达承认书

APPROVAL SHEET